

KITCHEN LINE KUBUS

Accumulation extract hoods
(without lighting and fat filters)



The **KUBUS accumulation extract hoods** are primarily used for suction from dishwashers in large kitchens, where no fat separation in fat filters and lighting are required.

If appropriate, the accumulation extraction hood can be connected directly to the suction piping (profitably, through the automatically controlled flap). If ordered, the accumulation extract hoods can be equipped with the operation automatic control sensors. The accumulation suction covers are delivered in two basic heights – 465 mm and 690 mm.

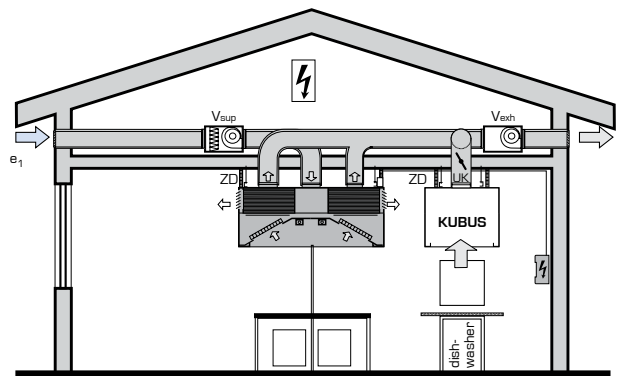
The KUBUS accumulation extract hoods are exclusively delivered as a whole, made from stainless steel plates as per CSN 17240 (AISI 304).

Circular or rectangular connection ports are located on the top or on the side.

Connection ports dimensions are determined according to the extracted airflow rate based on the calculation (ATREA selection software).

LEGEND

- UK ... switch controlled closing damper (optional accessory)
- ZD ... cover of the area above the hood up to the ceiling (such as plasterboard)
- V_{exh} ... exhaust fan (e.g. SVF)
- V_{sup} ... supply fan with filter (e.g. SVF)



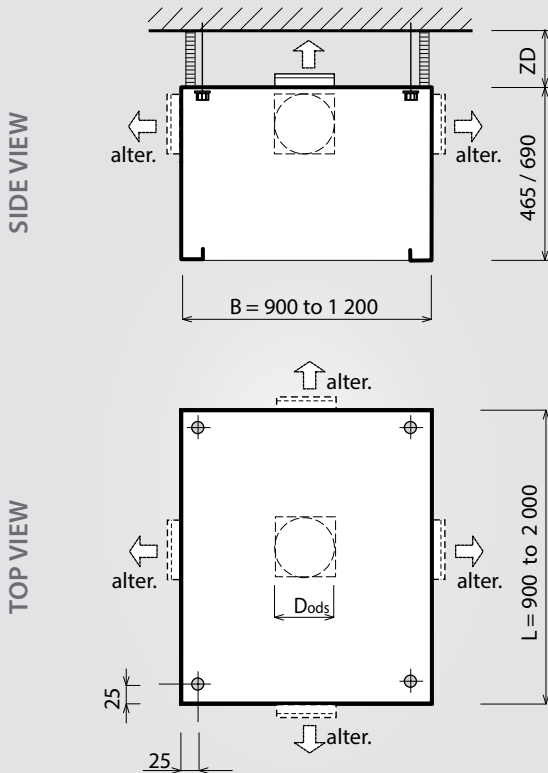
Selection software

For the detailed selection of ventilated ceilings, kitchen hoods, accessories and control systems we recommend using our specialised selection software.

You will find it on our website www.atrea.com.

Atrea®

DIMENSION DIAGRAM

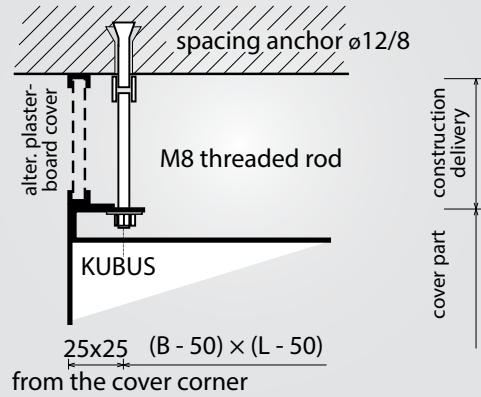


LEGEND

- L ... cover length
- B ... cover width
- D_{exh} ... diameter of outlet ports for the connection of circular or rectangular piping

ANCHORING TO THE CEILING

The accumulation extraction hoods are equipped with holes including spread panels to be hanged on M8 threaded rods anchored to the ceiling using $\varnothing 12/8$ mm spacer anchors (not in the scope of delivery).



BASIC DIMENSIONS

| Length L (mm) | Width B (mm) | Height H (mm) |
|---------------|-------------------|---------------|
| 900 | 900, 1 000, 1 250 | 465, 690 |
| 1 000 | 900, 1 000, 1 250 | 465, 690 |
| 1 250 | 900, 1 000, 1 250 | 465, 690 |
| 1 500 | 900, 1 000, 1 250 | 465, 690 |
| 1 750 | 900, 1 000, 1 250 | 465, 690 |
| 2 000 | 900, 1 000, 1 250 | 465, 690 |

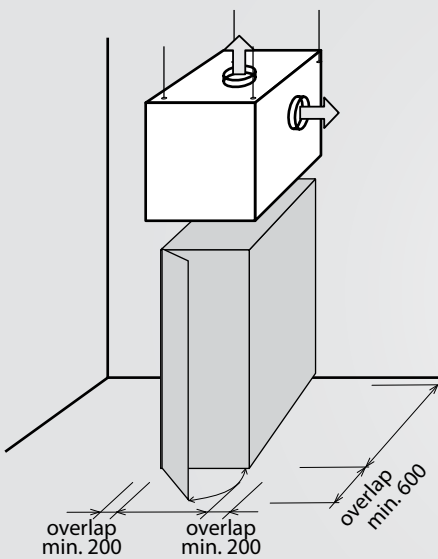
If ordered, covers can be delivered with atypical dimensions in the following scope:

Length L = 900 to 2 000 mm

Width B = 900 to 1 250 mm

ACCUMULATION EXTRACTION HOOD DIMENSION DETERMINATION

a) convection ovens and similar devices with front door



b) dishwasher

